



INTELLIGENCE KNIFE SHEETER
智能卷筒分切机

KEEP IMPROVING TO WIN MORE EXPECTATION

不斷超越，才能贏得更多期待

中國·國望集團始創于1993年，是一家集研發、設計、生產、銷售、服務為一體的中國印後設備專業製造商。經30多年發展積累，現有占地面積近12萬平方，建築面積超20萬平方的現代化標準工廠。并在全球設有銷售、售後服務網點。準時為客戶提供優質快捷的售前售後服務。

不斷超越，才能贏得更多期待。公司按照國際頂尖企業的標準及架構，執行7S現場管理模式。公司引進50多臺國際先進的大型加工中心，有日本三菱、東芝、馬扎克、大隈、瑞士斯達拉格、意大利帕瑪、曼德利等高精度加工設備，同時引進瑞士海克斯康三坐標檢測儀，祇因對產品精度和品質的執著追求，強大的加工集群是您設備品質的堅定保證。

國望集團通過ISO9001質量管理體系認證，主要產品均已通過歐盟CE以及德國TUV認證，匯集全球優勢資源，融合國際前沿技術，精益求精全力打造新一代印後設備，以智能化、高精度、高效率、高品質的要求，重新定義印後裝備價值，賦予用戶強大的市場競爭力，為客戶創造最大利益。

國望產品包括：全自動燙金機、模切機、卷筒分切機、切紙機、取紙機、卸紙機、升降機、闌紙機等高品質印後設備。

Guowang's products include high-quality post-printing equipment such as fully Automatic hot stamping machines, Die-cutting machines, Roll slitters, Paper cutters, Paper loader, Paper unloader, Lifting machine, and Jogger.

The Guowang Group, founded in 1993, is a professional manufacturer of post-press equipment in China that integrates research and development, design, production, sales, and services. After more than 30 years of development, it now has a modern standard factory with an area of nearly 120,000 square meters and a construction area of over 200,000 square meters. And has sales and after-sales service outlets worldwide, providing customers with high-quality and efficient pre-sales and after-sales services on time.

Only by constantly surpassing to win more expectations. The company implements the 7S on-site management mode according to the standards and framework of top international companies. It has introduced more than 50 international advanced large-scale machining centers, including high-precision machining equipment such as Mitsubishi, Toshiba, Mazak, Okuma, Staubli, PAMA, and Mandelli from Japan, Switzerland, and Italy. At the same time, the company has introduced the Swiss Hexagon three-coordinate measuring instrument. With its persistent pursuit of product precision and quality, the strong machining cluster is a firm guarantee for your equipment quality.

The Guowang Group has obtained ISO9001 quality management system certification, and its main products have passed the EU CE and German TUV certification. The company gathers global advantageous resources, integrates international cutting-edge technology, and strives to create a new generation of post-press equipment with intelligent, high-precision, high-efficiency, and high-quality requirements. It redefines the value of post-press equipment and gives users strong market competitiveness, creating maximum benefits for customers.



D 110 / D 150 / D 170 / D 190

03-06P

Intelligent Double Spiral Sheeter
智能雙螺旋分切機

S 140 / S 170 / S 190

07-12P

High Precision Sheeter With Servo Driven
伺服電腦高精密卷筒紙分切機

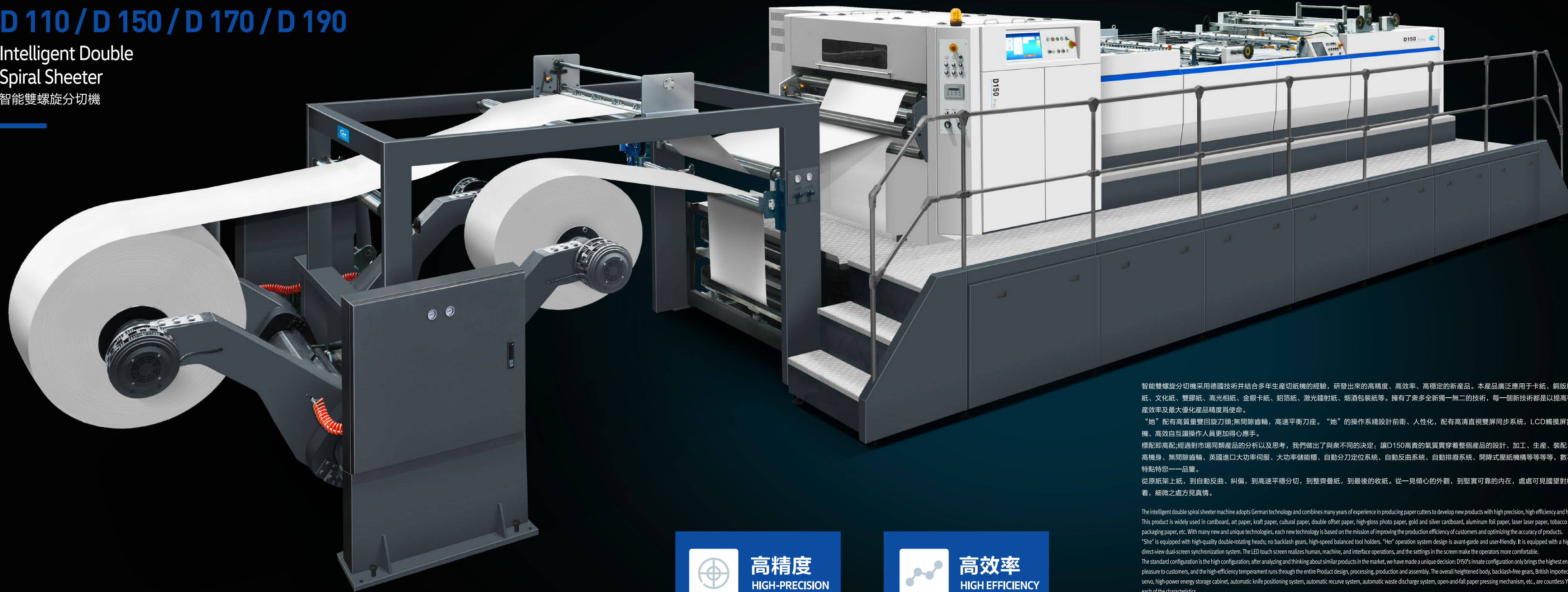


PURSUING GERMAN AND JAPANESE QUALITY
TO SHAPE A NATIONAL BRAND.
追求德日品質 塑造民族品牌

D 110 / D 150 / D 170 / D 190

Intelligent Double Spiral Sheeter

智能雙螺旋分切機



高精度
HIGH-PRECISION



高效率
HIGH EFFICIENCY

智能雙螺旋分切機採用德國技術并結合多年生產切紙機的經驗，研發出來的高精度、高效率、高穩定的新產品。本產品廣泛應用於卡紙、銅版紙、牛皮紙、文化紙、雙膠紙、高光相紙、金銀卡紙、鋁箔紙、激光鐳射紙、煙酒包裝紙等。擁有了眾多全新獨一無二的技術，每一個新技術都是以提高客戶的生產效率及最大優化產品精度為使命。

“她”配有高質量雙回旋刀頭、無間隙齒輪、高速平衡刀座。“她”的操作系統設計前衛、人性化，配有高清直視雙屏同步系統，LCD觸摸屏實現人、機、高效自互讓操作人員更加得心應手。

標配即高配；經過對市場同類產品的分析以及思考，我們做出了與眾不同的決定，讓D150高貴的氣質貫穿整個產品的設計、加工、生產、裝配。整體加高機身、無間隙齒輪、英國進口大功率伺服、大功率儲能櫃、自動分刀定位系統、自動反曲系統、自動排廢系統、開降式壓紙機構等等等等，數不勝數的特點特您一一品鑒。

從原紙架上紙，到自動反曲、糾偏，到高速平穩分切，到整齊疊紙，到最後的收紙。從一見傾心的外觀，到堅實可靠的內在，處處可見國望對細節的執著，細微之處方見真情。

The intelligent double spiral sheeter machine adopts German technology and combines many years of experience in producing paper cutters to develop new products with high precision, high efficiency and high stability. This product is widely used in cardboard, art paper, kraft paper, cultural paper, double offset paper, high-gloss photo paper, gold and silver cardboard, aluminum foil paper, laser laser paper, tobacco and alcohol packaging paper, etc. With many new and unique technologies, each new technology is based on the mission of improving the production efficiency of customers and optimizing the accuracy of products.

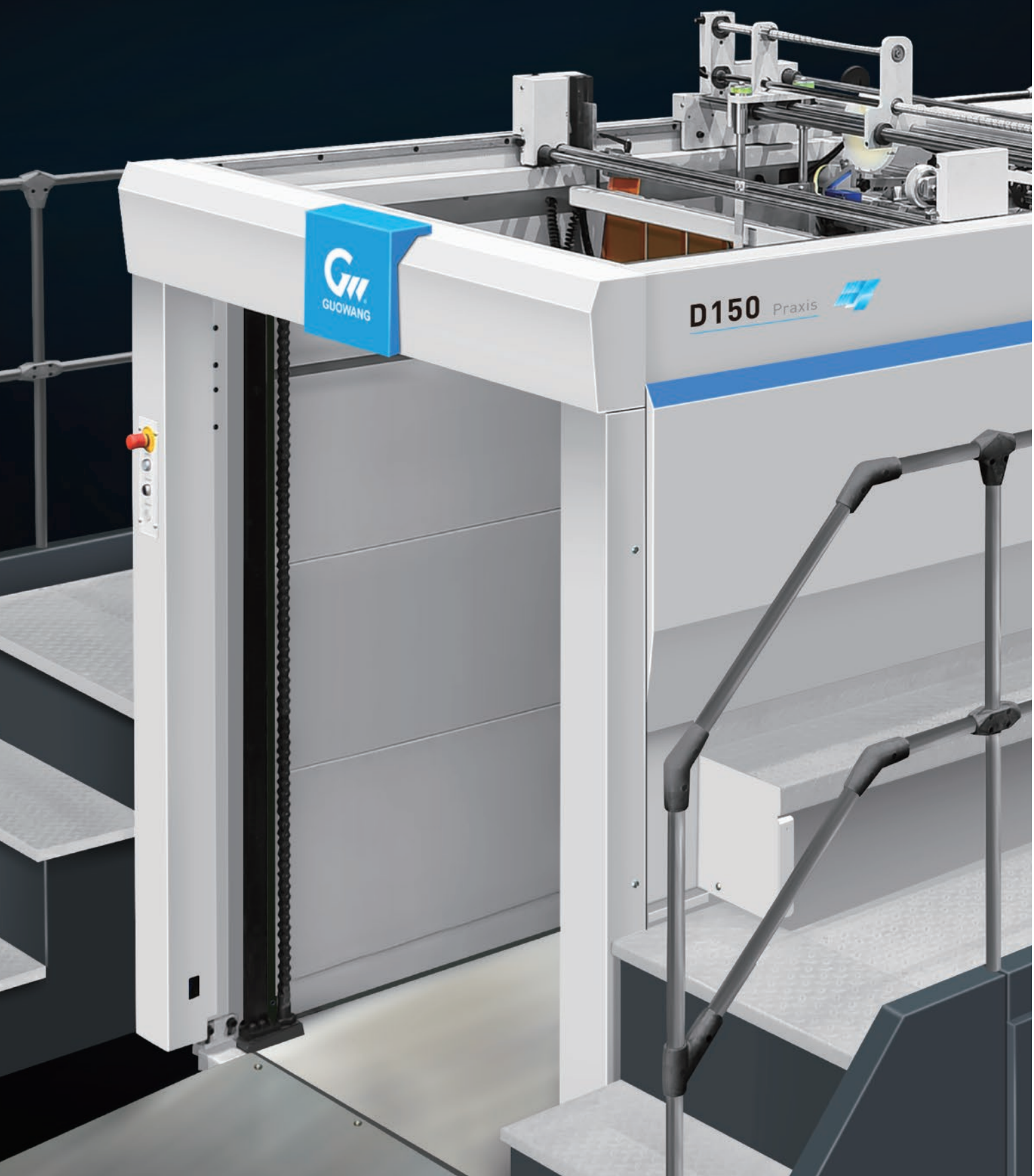
“She” is equipped with high-quality double-rotating heads; no backlash gears, high-speed balanced tool holders. “Her” operation system design is avant-garde and user-friendly. It is equipped with a high-definition direct-view dual-screen synchronization system. The LED touch screen realizes human, machine, and interface operations, and the settings in the screen make the operators more comfortable.

The standard configuration is the high configuration; after analyzing and thinking about similar products in the market, we have made a unique decision: D150's innate configuration only brings the highest enjoyment and pleasure to customers, and the high-efficiency temperament runs through the entire Product design, processing, production and assembly. The overall heightened body, backlash-free gears, British imported high-power servo, high-power energy storage cabinet, automatic knife positioning system, automatic recure system, automatic waste discharge system, open-and-fall paper pressing mechanism, etc., are countless. You can taste each of the characteristics.

From loading paper on the original paper holder, to automatic recursion and deviation correction, to high-speed and smooth slitting, to neat stacking of paper, to the final paper delivery. From the appearance of love at first sight to the solid and reliable inside, Guowang's dedication to details can be seen everywhere, and the truth can be seen in the subtleties.

收紙臺高度 | 1700mm

加高的收紙臺與印刷設備配合的更好，提高了工作效率
The heightened delivery table can better cooperate with printing equipment and improve work efficiency



電控部分 | ELECTRIC CONTROL PART

采用大尺寸工業電腦，英國CT高功率伺服系統，配置自主知識產權的軟件控制系統。畫面和諧，顯示內容豐富，操作性強。高效的大功率伺服配合儲能器，有效的節省了電能，提高了經濟性真正做到了綠色節能。

Using large-size industrial computer, British CT high-end high-power servo system, equipped with a software control system with independent intellectual property rights, the picture is harmonious, the display content is rich, and the operability is strong. High-efficiency high-power servo, combined with energy storage, effectively saves electric energy, improves economy, and truly achieves green and energy-saving.



縱切部分(選配) | SLITTING PART (OPTIONAL)

伺服控制高精度中分刀與修邊刀，實現了全自動定位，方便調整，提高效率。二段式自動氣壓下刀及靠刀動作，精確調整刀片的切入深度，剪切式的分切結構，減小紙粉的同時，切面更加光滑。

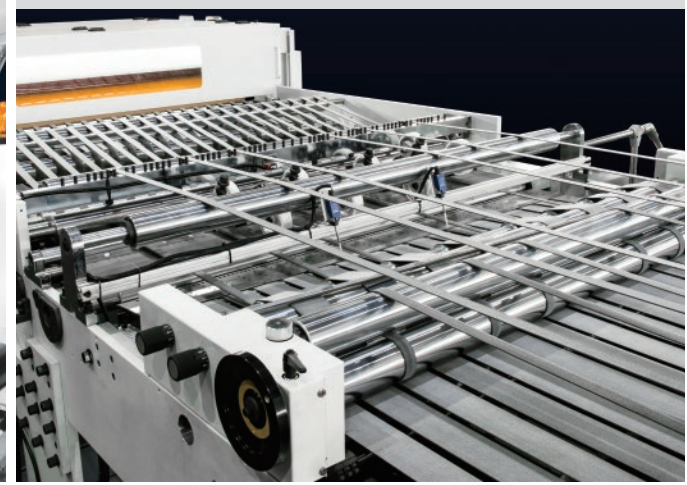
Servo control high-precision center splitting knife and trimming knife, realize automatic positioning, convenient adjustment, and improve efficiency. Two-stage automatic air pressure lowering and relying on the knife action to accurately adjust the cutting depth of the blade. The cutting structure of cutting reduces the paper powder while making the cut surface smoother.



輸送部分 | TRANSMISSION PARTS

高速帶采用英國CT大功率伺服驅動，保障出紙的順暢。氣動清廢結構，方便對廢紙張進行清除，提高操作的方便性。氣彈簧皮帶張緊裝置，保障每條皮帶都能平穩運行。

The high-speed belt is driven by British CT high-power servo to ensure smooth paper output. The pneumatic waste removal structure facilitates the removal of waste paper and improves the convenience of operation. The gas spring belt tensioning device ensures that each belt can run smoothly.



主機機身 | MAIN BODY

主機機身整體采用鑄件結構，使用上好的球墨鑄鐵鑄造而成，精度等級要求高，確保機身穩定性，整機運行更加穩定，可靠。

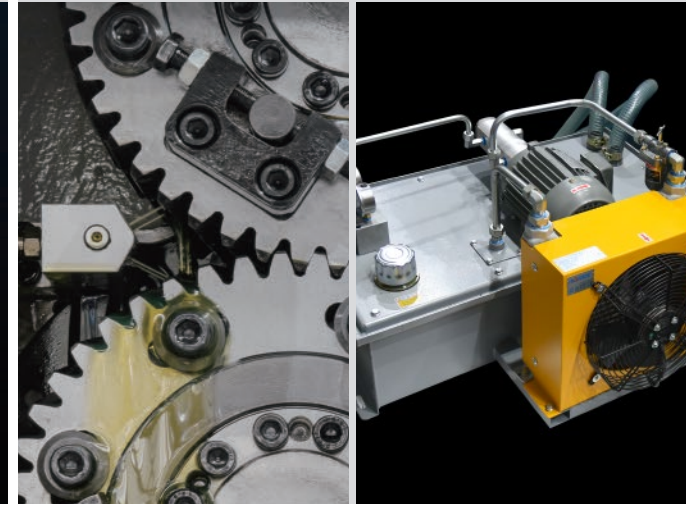
The main body of the main body adopts a casting structure and is made of high-quality nodular cast iron. The accuracy level is required to ensure the stability of the body, and the whole machine runs more stable and reliable.



油料潤滑系統 | OIL LUBRICATION SYSTEM

噴淋式齒輪潤滑系統，保障齒輪在整個運行過程中的充分潤滑。有效延長了機器的使用壽命。

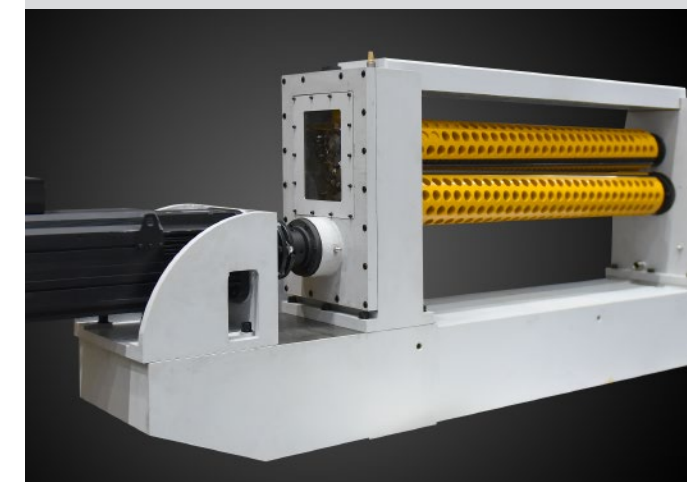
The spray gear lubrication system ensures the gears are fully lubricated during the entire operation. Effectively prolong the service life of the machine.



雙回旋螺旋刀組 | DOUBLE CONVOLUTE SPIRAL KNIFE SET

配置大功率高響應英國CT伺服，保障裁切的精度及效率。引進臺灣先進刀頭技術，無間隙齒輪結構設計，有效消除2把刀的晃動間隙，保障刀片的壽命及裁切精度。箱體采用球墨鑄鐵，時效處理後，經5軸高精度加工中心一次性加工完成，保證產品的精度及一致性。刀座采用整體式鑄件結構，有效保障刀體在高速運行時的平穩性。

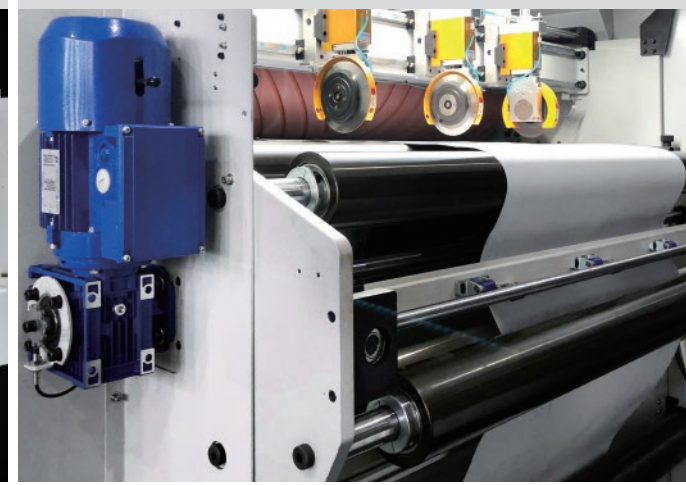
Equipped with high-power and high-response British CT servo to ensure cutting accuracy and efficiency. The introduction of Taiwan's advanced cutter head technology and a gap-free gear structure design can effectively eliminate the shaking gap of the two knives, ensuring the life of the blade and cutting accuracy. The box body is made of nodular cast iron. After aging treatment, it is processed by a 5-axis high-precision machining center at one time to ensure the accuracy and consistency of the product. The tool holder adopts an integral casting structure, which effectively guarantees the stability of the tool body during high-speed operation.



自動反曲控制系統 | REVERSE BENDING SYSTEM

自動反曲控制系統，會根據紙卷的變化自動調整反曲度，使紙張更加平整，裁切更加順滑。

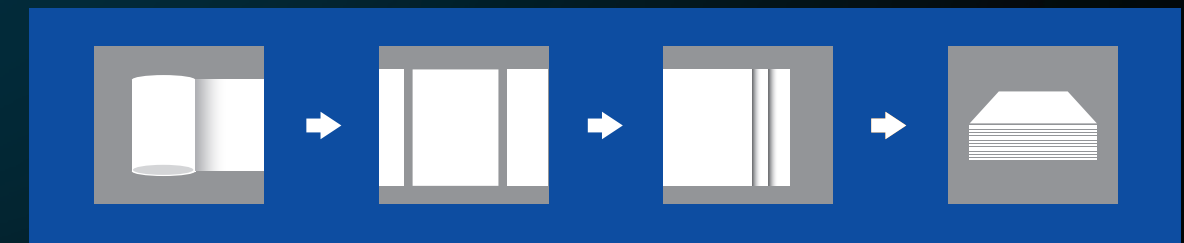
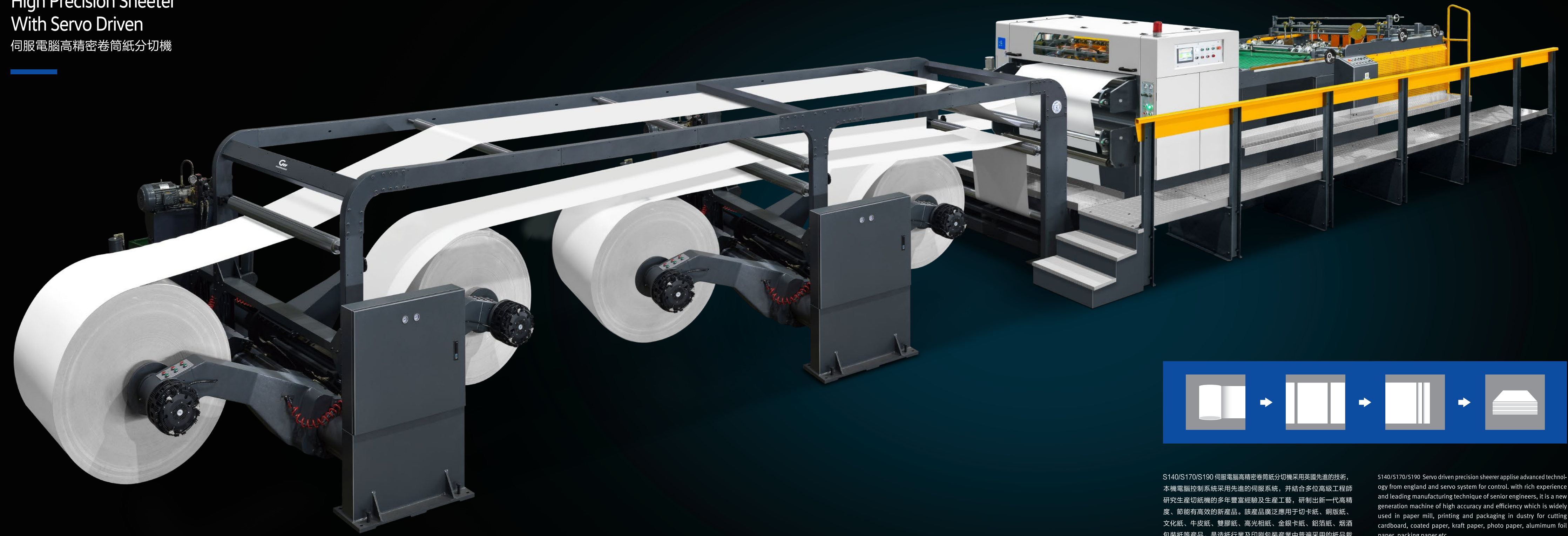
The automatic recurve control system will automatically adjust the degree of recursion according to the change of the paper roll, so that the paper is flatter and the cutting is smoother.



S 140 / S 170 / S 190

High Precision Sheeter
With Servo Driven

伺服電腦高精密卷筒紙分切機



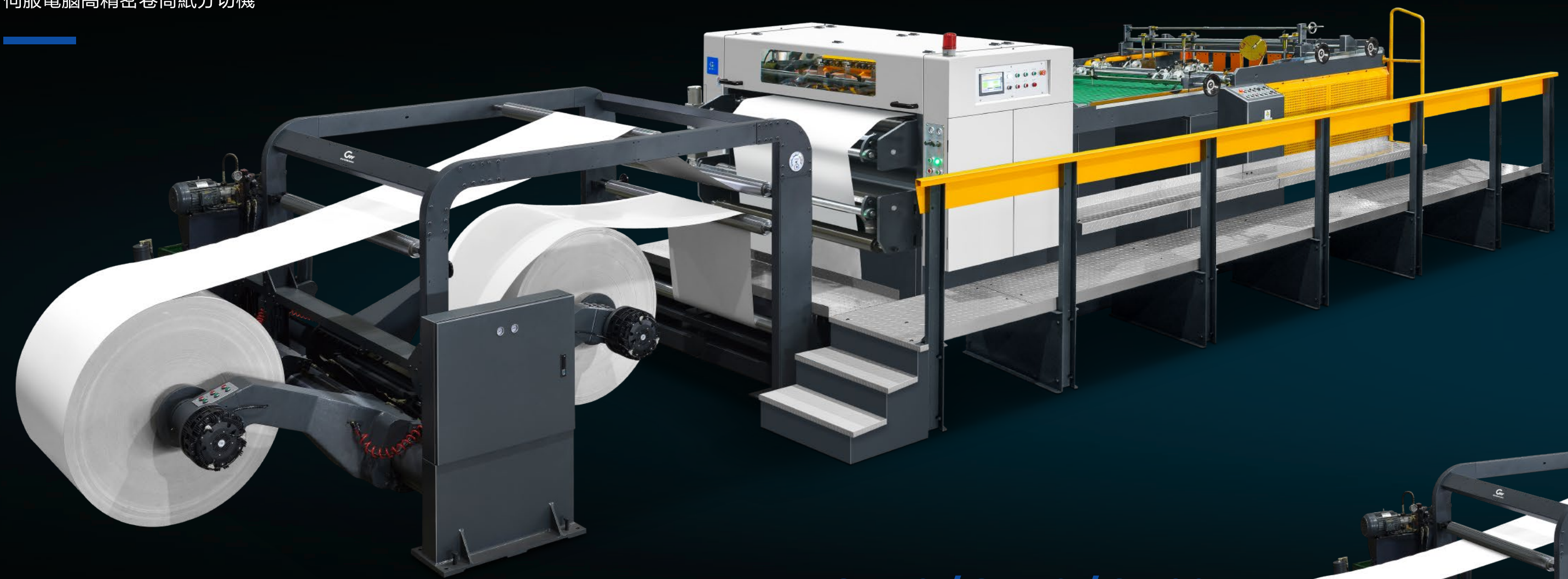
S140/S170/S190 伺服電腦高精密卷筒紙分切機採用英國先進的技術，本機電腦控制系統採用先進的伺服系統，並結合多位高級工程師研究生產切紙機的多項豐富經驗及生產工藝，研製出新一代高精度、節能有高效的新產品。該產品廣泛應用於切卡紙、銅版紙、文化紙、牛皮紙、雙膠紙、高光相紙、金銀卡紙、鋁箔紙、烟酒包裝紙等產品。是造紙行業及印刷包裝產業中普遍採用的紙品裁切機。

S140/S170/S190 Servo driven precision sheeter applise advanced technology from england and servo system for control. with rich experience and leading manufacturing technique of senior engineers, it is a new generation machine of high accuracy and efficiency which is widely used in paper mill, printing and packaging in dustry for cutting cardboard, coated paper, kraft paper, photo paper, aluminum foil paper, packing paper etc.

S 140 / S 170 / S 190

High Precision Sheeter
With Servo Driven

伺服電腦高精密卷筒紙分切機

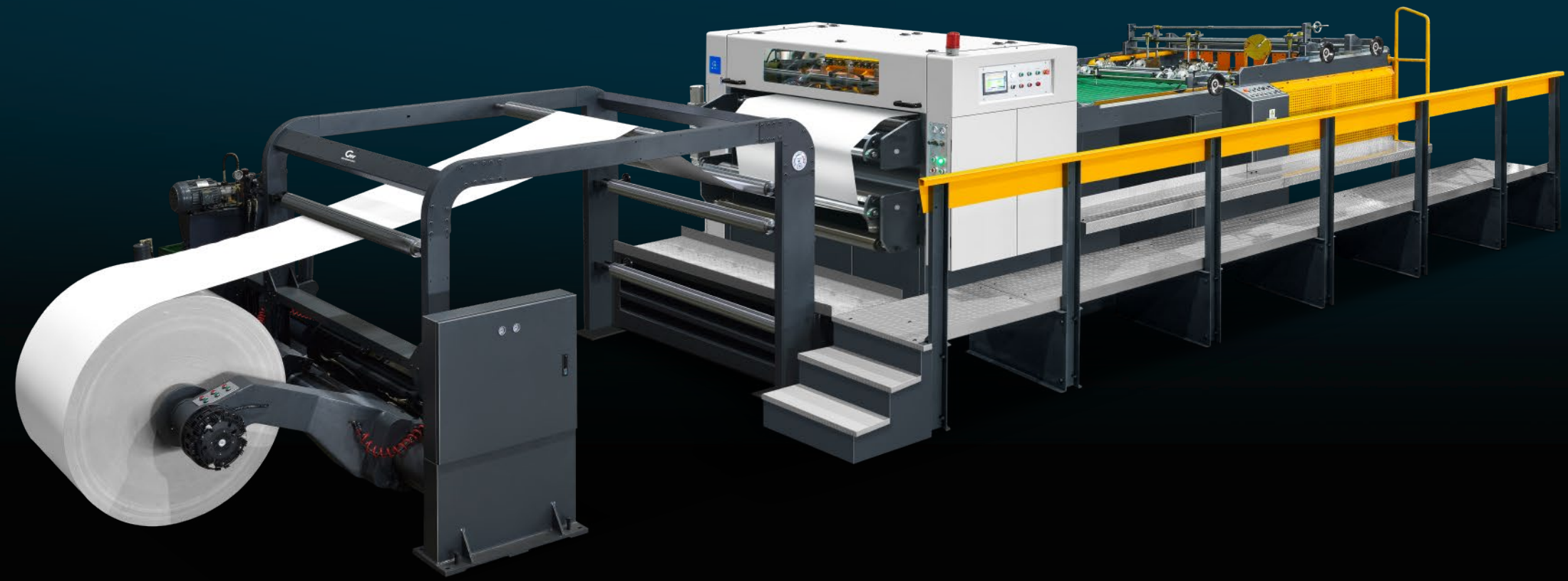


伺服系統
SERVO SYSTEM

S 140 / S 170 / S 190

High Precision Sheeter
With Servo Driven

伺服電腦高精密卷筒紙分切機

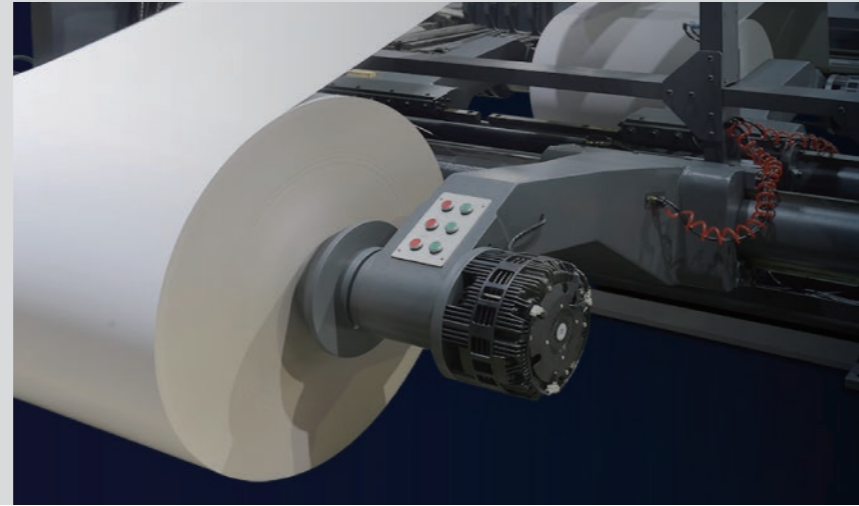


無軸式原紙架 及PLC張力控制系統

SHAFTLESS BASE
PAPER HOLDER AND
PLC TENSION CONTROL SYSTEM

採用多點式張力控制系統，電腦測算自動反饋給PLC控制系統。通過比例閥實現剎車負荷之增減張力，達到自動控制紙張的張力，并可通過人機界面進行微調操作。

It adopts a multi-point tension control system, and automatically feeds back to the PLC control system through an infrared distance measuring electric eye. The tension of the brake load is increased or decreased through the proportional valve, which can automatically control the tension of the paper, and can be fine-tuned through the man-machine interface.



電器部分 ELECTRICAL SYSTEM

採用西門子PLC與英威騰伺服系統，實現精確定位及裁切。西門子觸摸屏及改進的操作界面，更好的符合人體工程學。

Using Siemens PLC and INVT servo system to achieve precise positioning and cutting. Siemens touch screen and improved operation interface make it more ergonomic.



三組分條刀 可供修邊及對剖

THREE-COMPONENT
STRIP KNIFE FOR
TRIMMING AND CUTTING

剪切式分條刀組具有靠刀二段式動作，精確調整上下刀片重疊深度，可因不同入料方向來調整刀片角度及免用工具快速固定刀組等特點。剪切式分切方式具有分切時粉末少，切面光滑及高速分切等特點。高剛性刀架更適用於300m/min高速分條環境，提高生產效益並確保材料品質穩定性。

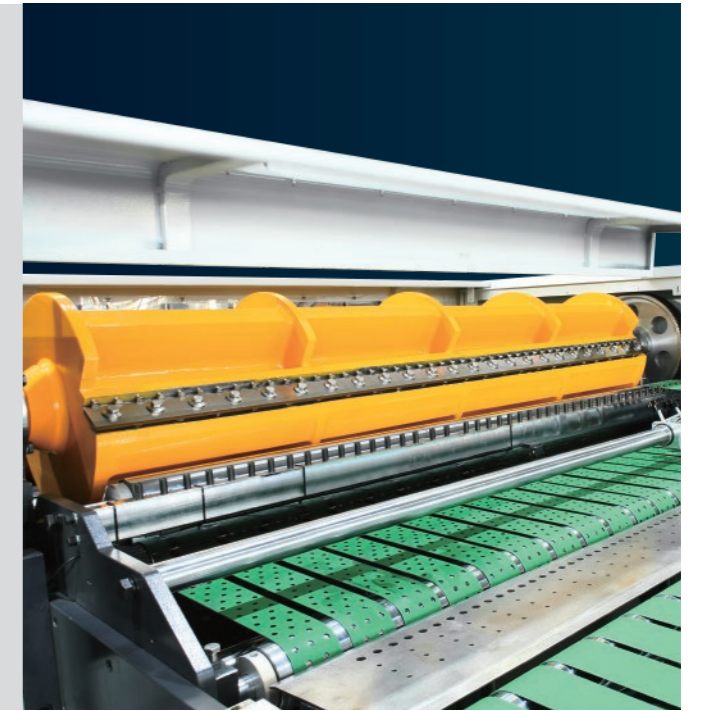
Shearing slitting knife set has the action of relying on the knife, which can accurately adjust the overlap depth of the upper and lower blades, adjust the blade angle according to different feeding directions and fix the knife set without using tools. The cutting method has the characteristics of less powder, smooth cutting surface and high speed cutting. High rigidity tool rest is suitable for 300m/min high-speed slitting environment, improve production efficiency and ensure the stability of material quality.



切刀部分 CUTTING KNIFE UNIT

1. 上刀輥：採用英國切刀方法，以有效降低切紙時的荷重及噪音，延長切刀壽命。上刀輥體以精鋼焊接後作精密加工，並經動態平衡調整，有效降低高速運轉時的震動及噪音。
2. 下刀座：下刀座採用鑄鐵一體成形鑄造，再經精密加工，穩定性佳。
3. 主動輥：輥面有擴張紋路設計，並以氣缸控制輥體之加壓夾紙。
4. 回切刀：以特殊合金鋼精密加工制成，壽命特長，刀刃容易調較。
5. 安全罩：安全罩掀開即自動停機，安全有保障。

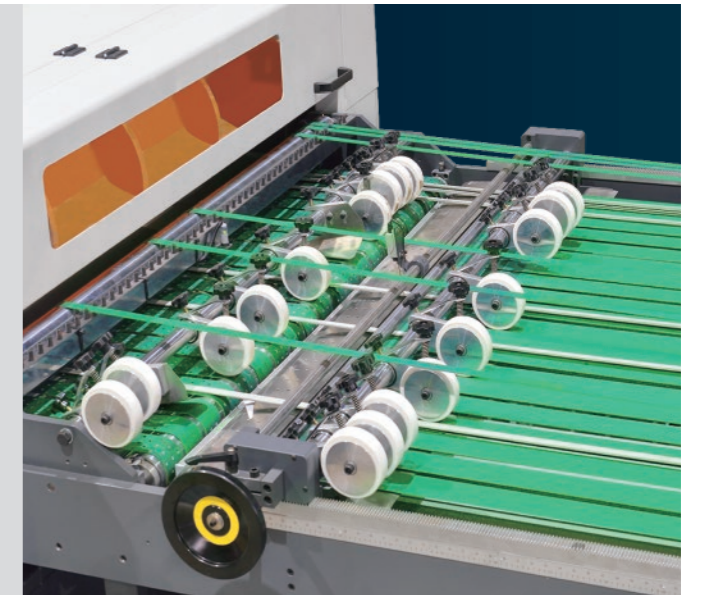
1. Upper knife roller: The British cutter method is adopted to effectively reduce the load and noise during paper cutting, and to extend the life of the cutter. The upper knife roller body is welded with stainless steel for precision machining, and is dynamically balanced to effectively reduce high-speed operation. Time vibration and noise.
2. Lower tool holder: The lower tool holder is made of cast iron integrally formed and cast, and then precision processed, with good stability.
3. Active roller: The roller surface is designed with expansion lines, and the cylinder is used to control the pressure and paper clamping of the roller body.
4. Back-cutting knife: It is made of special alloy steel precision machining, with long service life and easy adjustment of the blade.
5. Safety cover: It will automatically shut down when the safety cover is opened, ensuring safety.



重疊部分 OVERLAPPING UNIT

無極變頻調速控制的快/慢速帶，會自動跟踪刀速，自動調整速帶，使紙張能完美實現重疊。

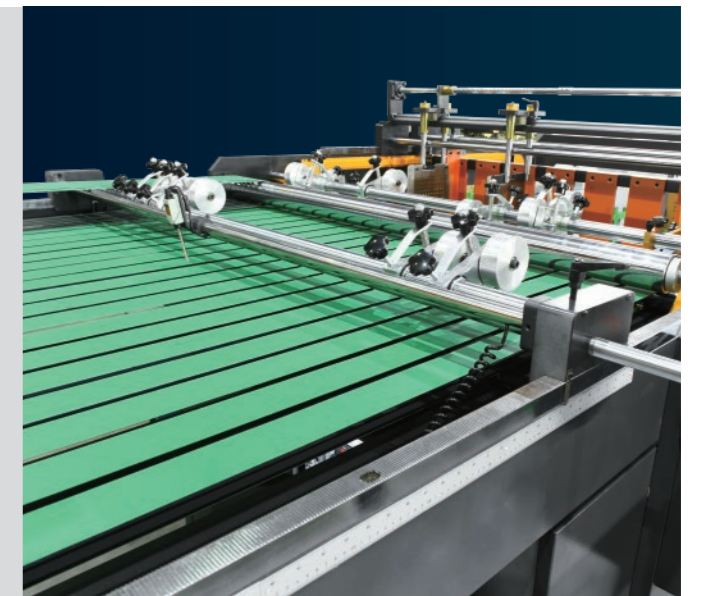
The fast/slow speed belt controlled by variable frequency speed control can automatically track the knife speed, automatically adjust the speed belt, so that the paper can achieve perfect overlap.



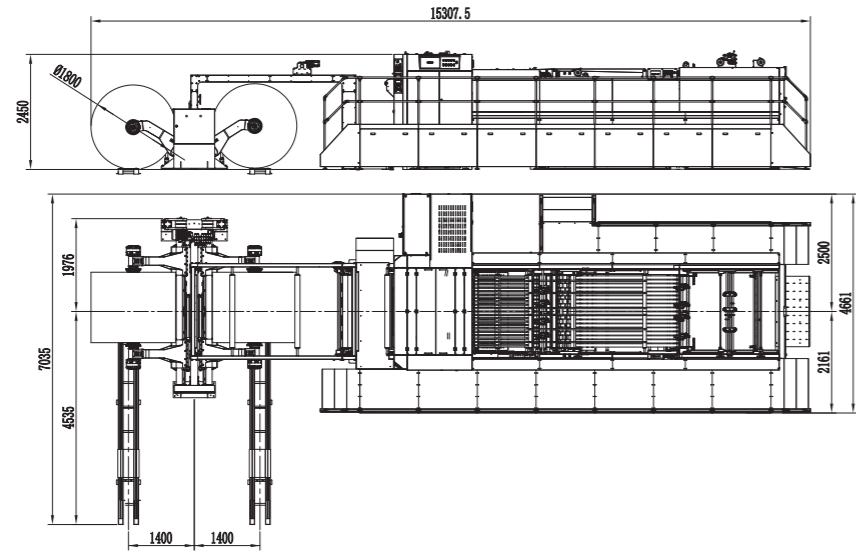
收紙部 DELIVERY UNIT

自動升降系統以及三面互調的收紙部位，加上無極震蕩齊紙機構，保障紙張收的整齊又順暢。

Automatic lifting system and three sides of the intermodulation of the delivery unit, coupled with the non-polar vibration of the flat paper mechanism, to ensure that the paper delivery smooth.



D 110 / D 150 / D 170 / D 190 地基安裝圖
D 110 / D 150 / D 170 / D 190 INSTALLATION FLOOR PLAN



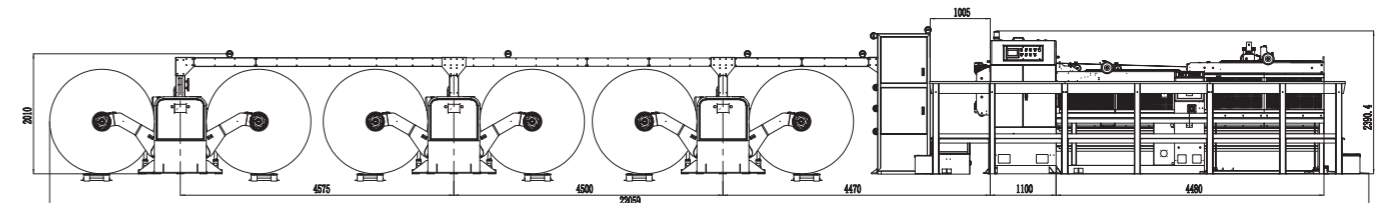
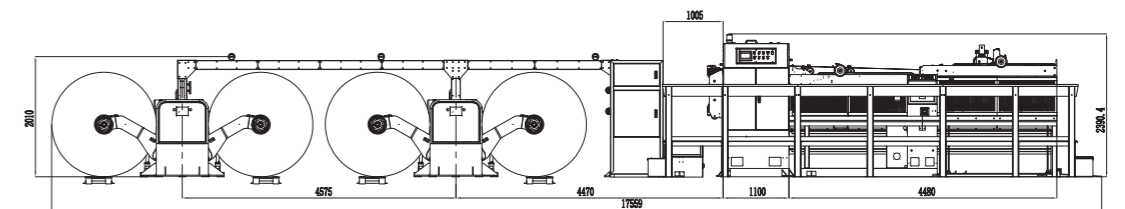
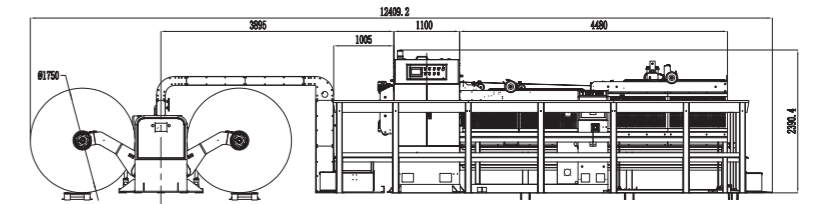
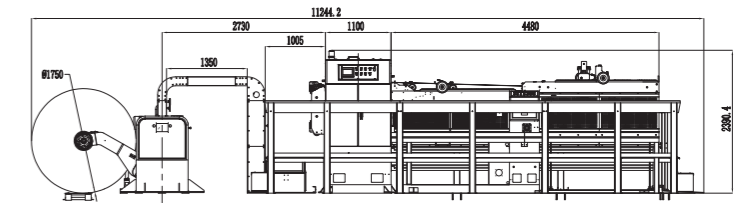
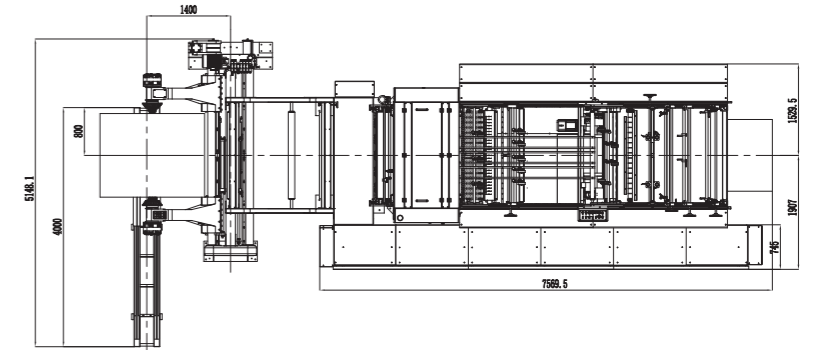
機器參數	SPECIFICATIONS			
型号	Model		D110/D150/D170/D190	S140/S170/S190
切纸型式	Cutting type		双刀同步式 Twin knife synchro-fly	上刀回切, 下刀固定 Top rotary knife, bottom fixed knife
纸张范围	Paper weight range	gsm	150-1000	60-550
最大纸张幅面	Maximum paper format	mm	1100/1500/1700/1900	1400/1700/1900
最大卷筒纸直径	Maximum web diameter	mm	1800	1800
切断长度范围	Cut-off length range	mm	400-1700	400-1650
切断精度	Cutting accuracy	mm	±0.1/±0.15	±0.3
最高切断速度	Maximum cutting speed	m/min	300	300
最高裁切刀数	Maximum number of cutting knives	p/min	400	350
收纸堆高度	Delivery height(incl. pallet)	mm	含托盘1700	含托盘1500
主电机功率	main motor power	kw	64	11
整机功率	Total power	kw	98 / 105	30
总重	Gross weight	kg	22000/24000/26000/28000	12000 / 13000 / 15000
气源要求	Air source	bar	6-8	6-8

機器速度表 MACHINE SPEEDOMETER

型號	D110		D150		D170		D190	
	米速 Speed m/min	刀速 Speed Cuts/min	米速 Speed m/min	刀速 Speed Cuts/min	米速 Speed m/min	刀速 Speed Cuts/min	米速 Speed m/min	刀速 Speed Cuts/min
400	130	325	120	300	120	300	114	285
450	165	412	150	333	150	333	142	315
500	214	429	195	390	195	390	185	370
550	250	454	235	427	235	427	223	405
600	290	462	265	442	265	442	251	418
650	300	462	300	462	300	462	300	462
700	300	429	300	429	300	429	300	429
750	300	400	300	400	300	400	300	400
800	300	375	300	375	300	375	300	375
850	300	353	300	353	300	353	300	353
900	300	333	300	333	300	333	300	333
950	300	316	300	316	300	316	300	316
1000	300	300	300	300	300	300	300	300
1100	290	264	290	264	290	264	290	264
1200	285	238	285	238	285	238	270	225
1300	280	215	280	215	280	215	266	166
1400	280	200	280	200	280	200	266	166
1500	280	187	280	187	280	187	266	166
1600	280	175	280	175	280	175	266	166
1700	275	162	275	162	275	162	261	153

注：由于產品在不断的改進，數據如有改動，恕不另行通知。

S 140 / S 170 / S 190 地基安裝圖
S 140 / S 170 / S 190 INSTALLATION FLOOR PLAN



SOUTH-EAST EUROPE REPRESENTATIVE:

PREPRESS PRINT DOO

+381 64 1340740

ctp@cron.rs

www.cron.rs

SERBIA - BELGRADE

+385 99 4477468

ctp@cron.com.hr

www.cron.com.hr

CROATIA - ZAGREB
